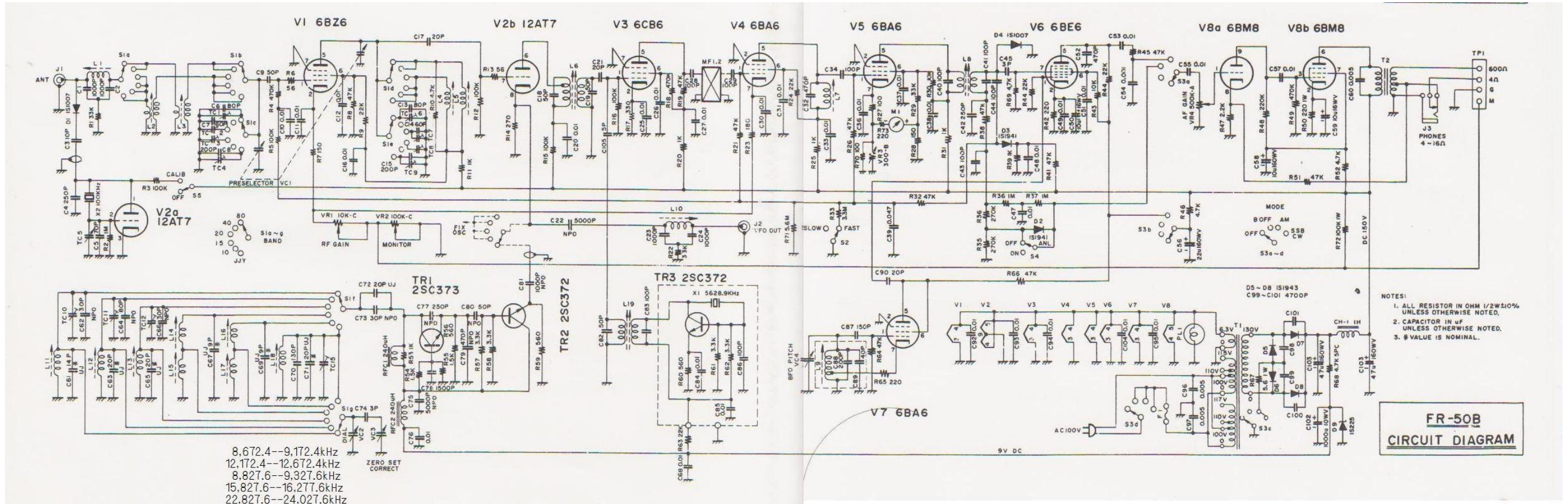


CIRCUIT DIAGRAMS

YAESU FR-50B



This page is set to print landscape A3



This page is set to print landscape on a piece of paper 54cm wide by 25cm high

